

# TEUPEN<sup>®</sup> hyLIFT<sup>®</sup> Euro B 16 T

## Technical data\*

Aerial work platform **TEUPEN<sup>®</sup> hyLIFT<sup>®</sup>**



**Euro B 16 T**

Working height:	approx. 15,80 m
Cage floor height:	approx. 13,80 m
Max. safe load on cage:	max. 200 kg
Lateral outreach at 200 kg:	approx. 11,00 m
Range of rotation:	approx. 270°
Size of working cage made of aluminium (LxWxH):	1,2 x 0,8 x 1,1 m
Outrigging width front (centre of jack plate):	approx. 2980 mm
Outrigging width rear (centre of jack plate):	approx. 3120 mm
Outrigging:	hydraulic holding jacks
Drive:	vehicle by means of truck p.t.o.
Power track:	installed inside
Range of rotation of basket:	approx. 180°
Control system:	fully hydraulic

## Technical data for mounting on Sprinter MB 308 CDI / 311 CDI / 313 CDI

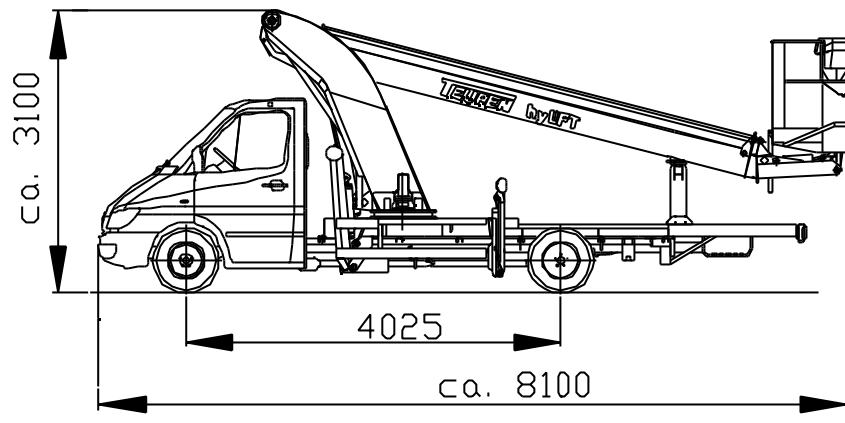
### Dimensions

Length of vehicle:	approx. 8100 mm
Height of vehicle:	approx. 3100 mm
Width of vehicle:	approx. 2180 mm
Wheel base:	4025 mm
Allowed total weight:	3500 kg

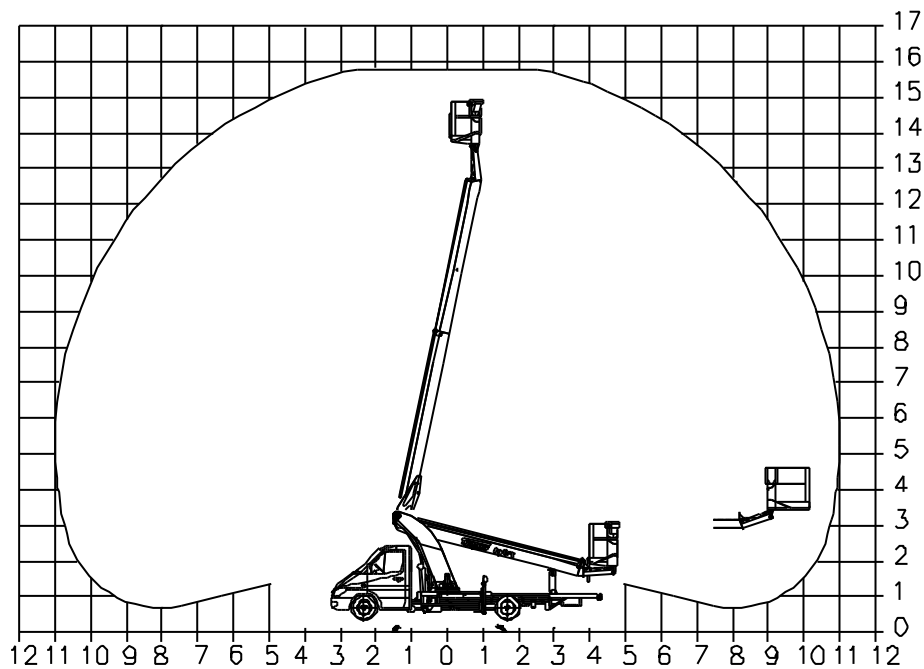
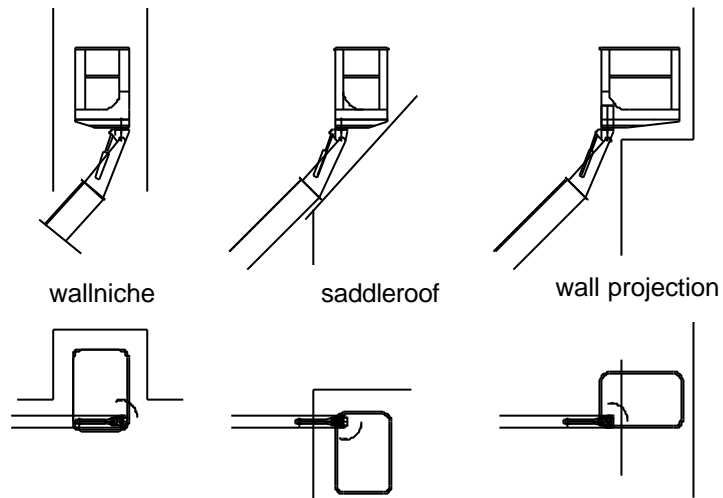
Superstructure manufactures require the following Mercedes chassis outfit (Compulsory Code):

Code: A50, C42, C45, C47, EK1, F35, F61, LB2, L76, M53, N05, N80, PB0, X31

\*Technical data with standard equipment



Examples access technology  
Rotation of basket 180° - offset basket



Alteration in construction reserved!

**TEUPEN Maschinenbaugesellschaft mbH**

Address: Marie-Curie-Strasse 13 - 48599 Gronau-GERMANY - Phone ++49 / 2562 / 8161-0 - Fax ++49 / 2562 / 8161-888  
P. O. Box: 1951 - 48580 Gronau-GERMANY

Internet: <http://www.teupen.info> - E-mail: [mail@teupen.info](mailto:mail@teupen.info)