

LEO 12 G

Technical data *

Aerial work platform **TEUPEN[®] hyLIFT[®]**



Leo 12 G

Working height:	12,1 m
Platform height:	10,1 m
Lateral outreach:	5,60 m
Range of rotation:	355°
Safe load on cage:	max. 200 kg
Size of working cage (LxWxH):	1,2 x 0,7 x 1,1 m
Length in travelling position:	min. 4710 mm
Length in travelling position without the cage:	min. 3995 mm
Width in travelling position without the cage:	min. 780 mm
Height in travelling position:	approx. 1,995 m
Total weight:	approx. 1650 kg
Loading possibility:	min. 3,65x2,65 m
Surface load in loading position:	approx. 1,86 kN/m ²
Ground load (caterpillar-track) in standard work position:	approx. 4,24 N/cm ²
Power line:	inside the profile
Drive:	Honda –Motor 13PS
Adjustable width of caterpillar-track:	780-980 mm

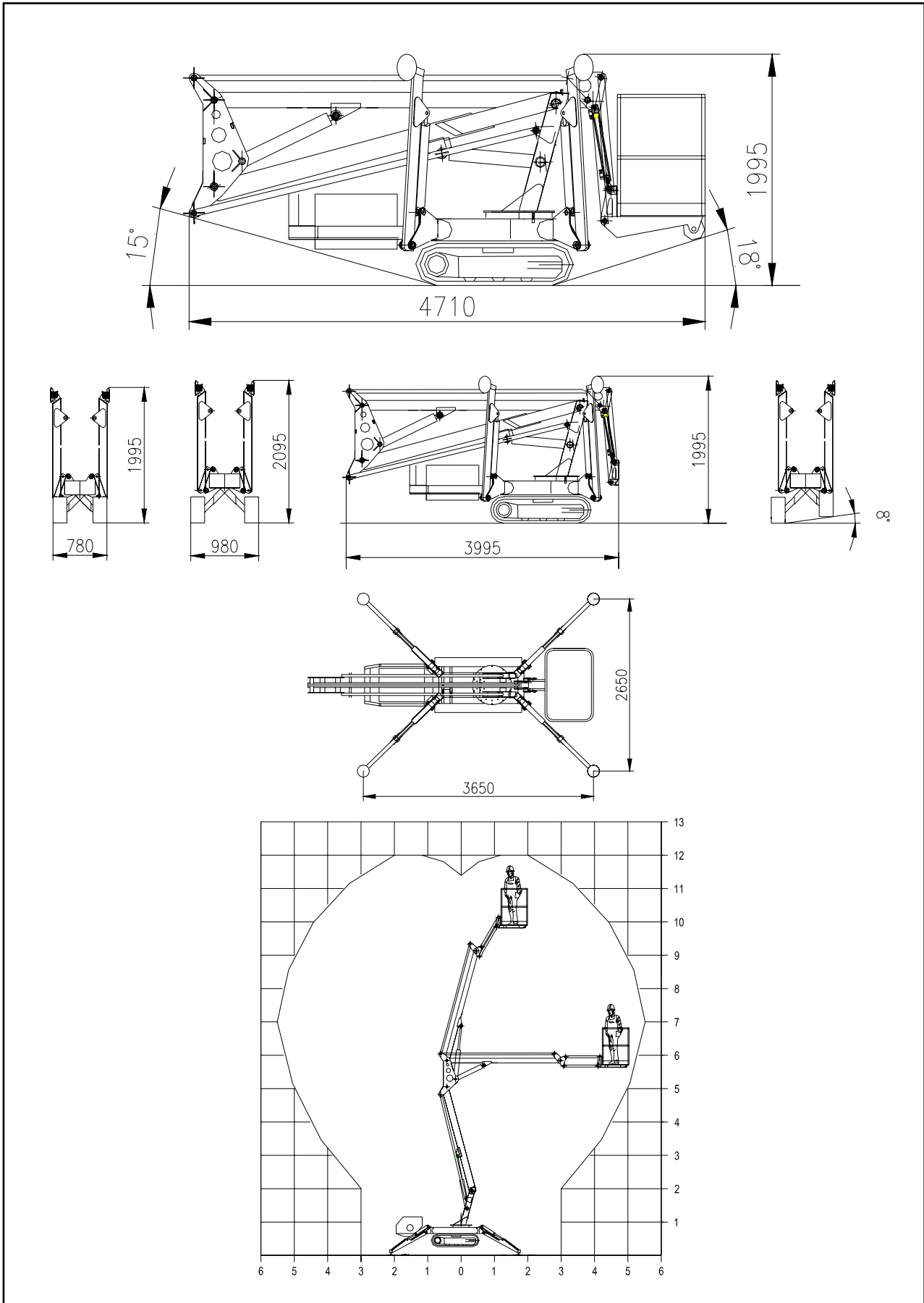
Options:

Ground control with a 3 m long cable	
Additional drive:	230V AC engine
Overweight: 29 kg	2,2 KW
Additional drive:	Kubota-Diesel
Overweight: 32 kg	Z-482 13,5 PS

Technical data with standard equipment!

Alteration in construction reserved!

State:20.03.2007



TEUPEN Maschinenbaugesellschaft mbH

Hausanschrift: Marie-Curie-Strasse 13 - D 48599 Gronau – Telefon 02562 / 8161-0 – Telefax 02562 / 8161-888
 Postanschrift: Postfach 1951 – D 48580 Gronau Internet: <http://www.teupen.de> – email: info@teupen.de